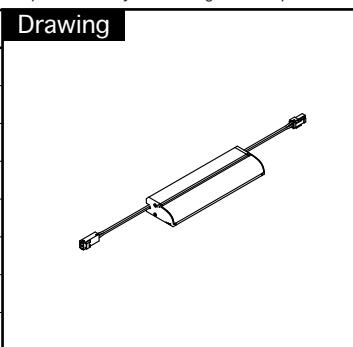


Unit Of Measure : mm  
The specifications and prices are subject to change without prior notice.

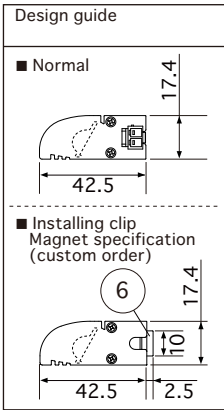
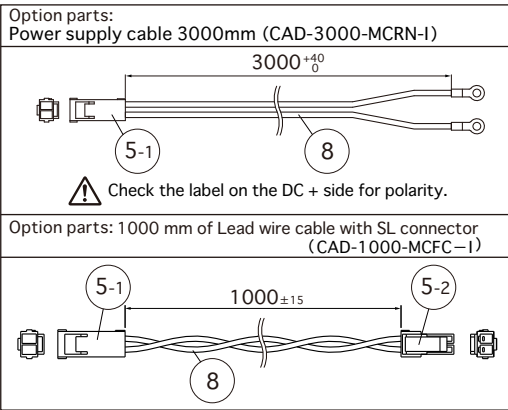
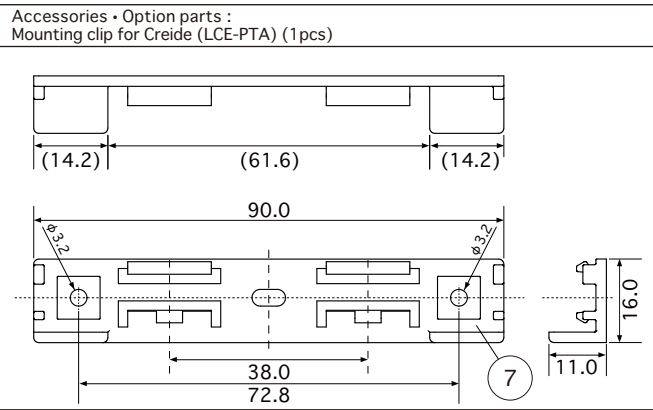
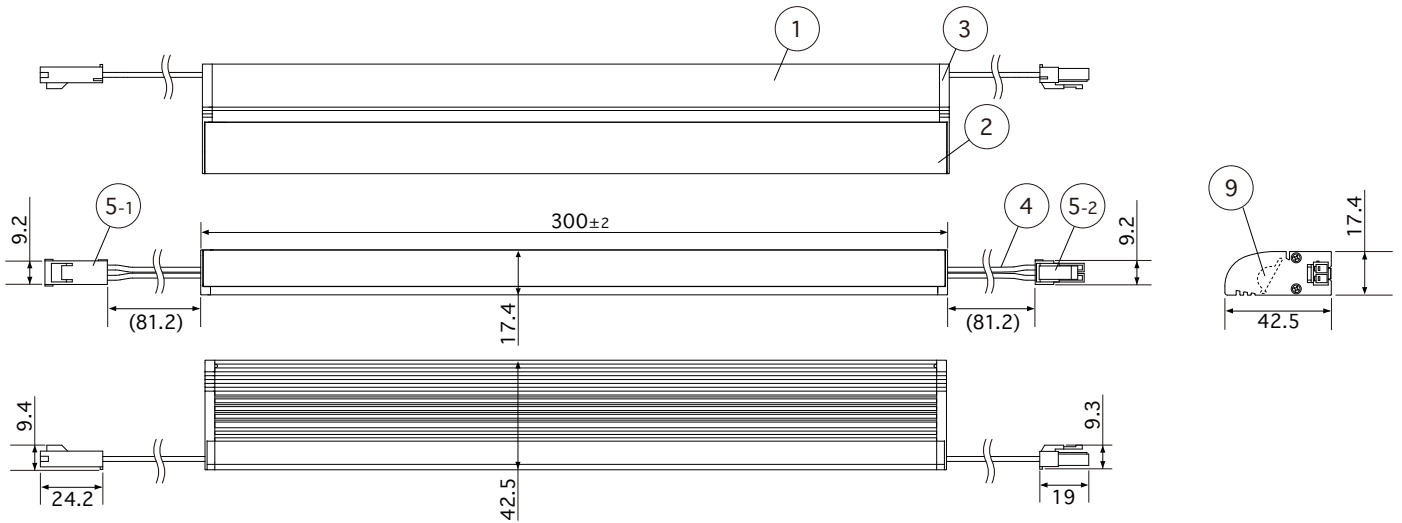
Part Name	Material	Note
1 Body	Aluminum	Alumite treatment, White painting
2 Cover	Polycarbonate	Diffuser
3 Side cover	Polycarbonate	Diffuser
4 Lead Wire		UL1007 AWG20
5 Connector	Nylon	5-1:SLR-02VF(JST) White 5-2:SLP-02V(JST) White
6 Magnet	Neogium, Stainless steel	Silver
7 Mounting clip	Polycarbonate	Clear
8 Lead Wire		UL1007 AWG20
9 Lens	Polycarbonate	Clear



Spec	Input voltage : DC24V	Weight : 79g	Light Source color : White	W : 4200K (203 lm / Ra 86)
Power consumption : 3W	Number of LEDs : 12		Warm white	WW: 3500K (200 lm / Ra 85)
Max. sets connectable : 5m			Warm white 3000K : L30: 3000K (184 lm / Ra 87)	
Environment : Indoors ( No Condensation )			Warm white 2700K : L27: 2700K (176 lm / Ra 84)	
Accessories : Mounting clip (1 pcs )			Warm white 2400K : L24: 2400K (177 lm / Ra 85)	
Option parts : Power supply cable 3000mm,				
Lead wire cable 1000mm,				
Mounting clip (2pcs/1bag),				
Magnet attachment plate (Custom order)				

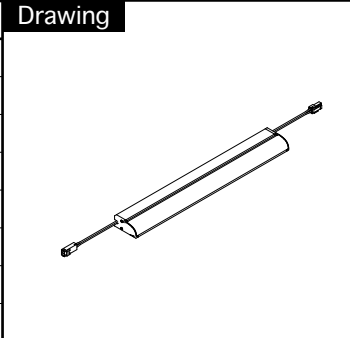
- Item Number
- LCEL-01 50-W-DF-I
  - LCEL-01 50-WW-DF-I
  - LCEL-01 50-L30-DF-I
  - LCEL-01 50-L27-DF-I
  - LCEL-01 50-L24-DF-I

Job/Project Name	Area/Location/Circuit No.
Product Code	Qty. Length(mm)



Unit Of Measure : mm  
The specifications and prices are subject to change without prior notice.

Part Name	Material	Note
1 Body	Aluminum	Alumite treatment, White painting
2 Cover	Polycarbonate	Diffuser
3 Side cover	Polycarbonate	Diffuser
4 Lead Wire		UL1007 AWG20
5 Connector	Nylon	5-1:SLR-02VF(JST) White 5-2:SLP-02VF(JST) White
6 Magnet	Neogium, Stainless steel	Silver
7 Mounting clip	Polycarbonate	Clear
8 Lead Wire		UL1007 AWG20
9 Lens	Polycarbonate	Clear



Spec	Input voltage : DC24V	Weight : 151g	Light Source color : White	W : 4200K (405 lm / Ra 86)
Power consumption : 6W	Number of LEDs : 24		Warm white	WW : 3500K (399 lm / Ra 85)
Max. sets connectable : 5m			Warm white 3000K : L30 : 3000K (367 lm / Ra 87)	
Environment : Indoors ( No Condensation )			Warm white 2700K : L27 : 2700K (353 lm / Ra 84)	
Accessories : Mounting clip (2pcs )			Warm white 2400K : L24 : 2400K (354 lm / Ra 85)	
Option parts : Power supply cable 3000mm,				
Lead wire cable 1000mm,				
Mounting clip (2pcs/1bag),				
Magnet attachment plate (Custom order)				

- Item Number
- LCEL-0300-W-DF-I
  - LCEL-0300-WW-DF-I
  - LCEL-0300-L30-DF-I
  - LCEL-0300-L27-DF-I
  - LCEL-0300-L24-DF-I

Job/Project Name	Area/Location/Circuit No.
Product Code	Qty. Length(mm)





Creide series

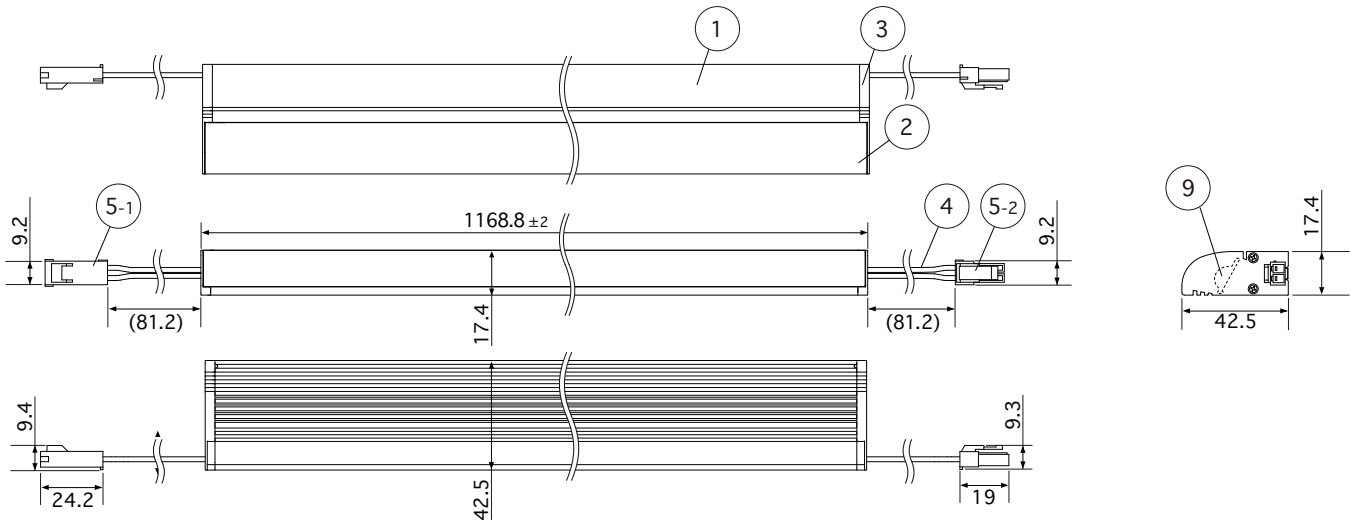
Luci Creide Lens 1170



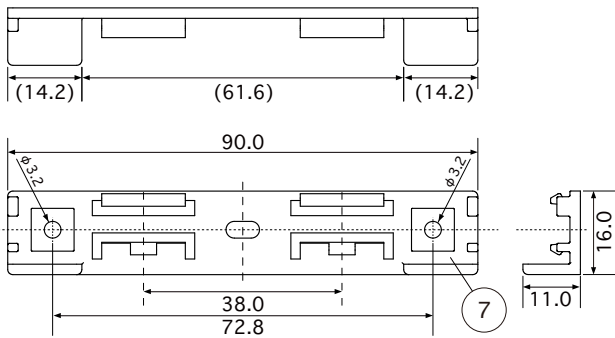
Luci Creide Lens 1170

Luci Pte. Ltd.

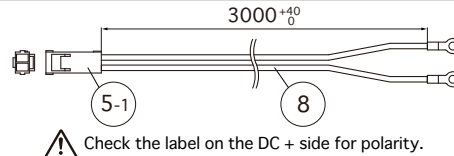
2017.05.30



Accessories • Option parts :  
Mounting clip for Creide (LCE-PTA) (1 pcs)

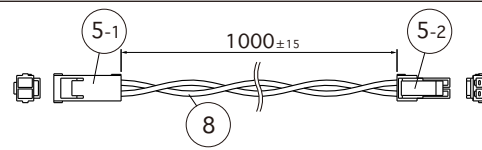


Option parts:  
Power supply cable 3000mm (CAD-3000-MCRN-1)



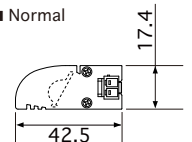
⚠ Check the label on the DC + side for polarity.

Option parts: 1000 mm of Lead wire cable with SL connector (CAD-1000-MCFC-1)

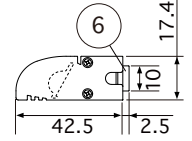


Design guide

■ Normal

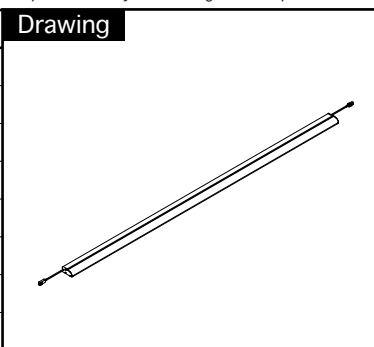


■ Installing clip  
Magnet specification (custom order)



Unit Of Measure : mm  
The specifications and prices are subject to change without prior notice.

Part Name	Material	Note
1 Body	Aluminum	Alumite treatment, White painting
2 Cover	Polycarbonate	Diffuser
3 Side cover	Polycarbonate	Diffuser
4 Lead Wire		UL1007 AWG20
5 Connector	Nylon	5-1:SLR-02VF(JST) White 5-2:SLP-02V(JST) White
6 Magnet	Neogium, Stainless steel	Silver
7 Mounting clip	Polycarbonate	Clear
8 Lead Wire		UL1007 AWG20
9 Lens	Polycarbonate	Clear



Spec	Input voltage : DC24V	Weight : 558g	Light Source color : White	W : 4200K (1620 lm / Ra 86)
	Power consumption : 24.2W	Number of LEDs : 96	Warm white	WW : 3500K (1596 lm / Ra 85)
	Max. sets connectable : 5m		Warm white 3000K : L30 : 3000K (1468 lm / Ra 87)	
	Environment : Indoors ( No Condensation )		Warm white 2700K : L27 : 2700K (1412 lm / Ra 84)	
	Accessories : Mounting clip (3pcs )		Warm white 2400K : L24 : 2400K (1416 lm / Ra 85)	
	Option parts : Power supply cable 3000mm,			
	Lead wire cable 1000mm,			
	Mounting clip (2pcs/1bag),			
	Magnet attachment plate (Custom order)			

Item Number
LCEL-1170-W-DF-I
LCEL-1170-WW-DF-I
LCEL-1170-L30-DF-I
LCEL-1170-L27-DF-I
LCEL-1170-L24-DF-I

Job/Project Name	Area/Location/Circuit No.
Product Code	Qty. Length(mm)

Creide series

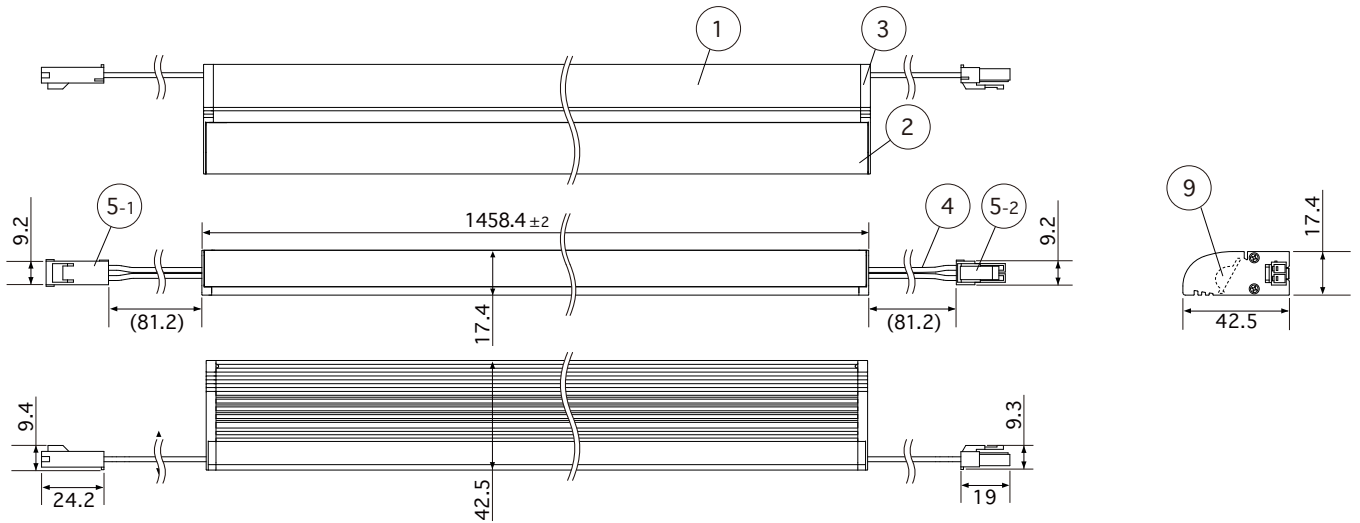
Luci Creide Lens 1460



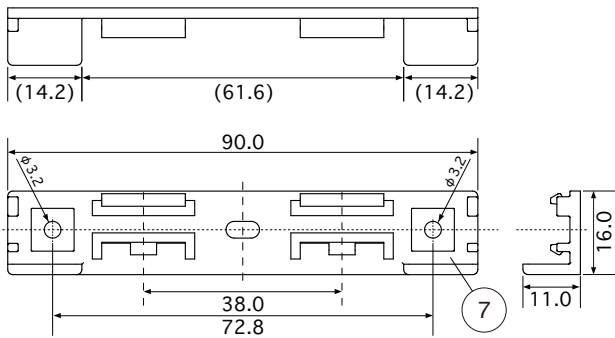
Luci Creide Lens 1460

Luci Pte. Ltd.

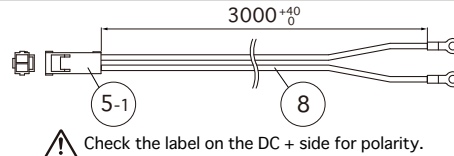
2017.05.30



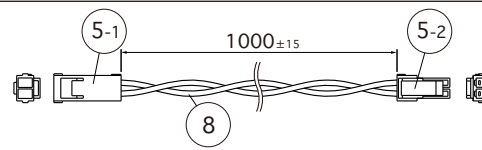
Accessories • Option parts :  
Mounting clip for Creide (LCE-PTA) (1 pcs)



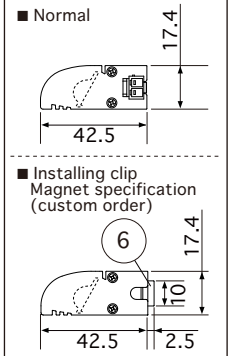
Option parts:  
Power supply cable 3000mm (CAD-3000-MCRN-1)



Option parts: 1000 mm of Lead wire cable with SL connector (CAD-1000-MCFC-1)

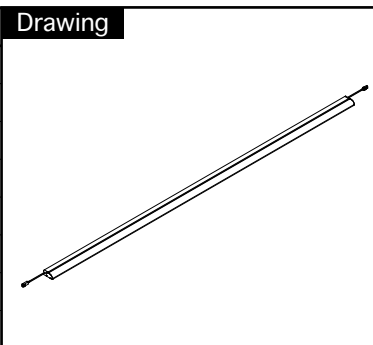


Design guide



Unit Of Measure : mm  
The specifications and prices are subject to change without prior notice.

Part Name	Material	Note
1 Body	Aluminum	Alumite treatment, White painting
2 Cover	Polycarbonate	Diffuser
3 Side cover	Polycarbonate	Diffuser
4 Lead Wire		UL1007 AWG20
5 Connector	Nylon	5-1:SLR-02VF(JST) White 5-2:SLP-02V(JST) White
6 Magnet	Neogium, Stainless steel	Silver
7 Mounting clip	Polycarbonate	Clear
8 Lead Wire		UL1007 AWG20
9 Lens	Polycarbonate	Clear



Spec	Input voltage : DC24V	Weight : 712g	Light Source color : White	W : 4200K (2025 lm / Ra 86)
	Power consumption : 30.2W	Number of LEDs : 120	Warm white	WW : 3500K (1995 lm / Ra 85)
	Max. sets connectable : 5m		Warm white 3000K : L30 : 3000K (1836 lm / Ra 87)	
	Environment : Indoors ( No Condensation )		Warm white 2700K : L27 : 2700K (1765 lm / Ra 84)	
	Accessories : Mounting clip (4pcs )		Warm white 2400K : L24 : 2400K (1770 lm / Ra 85)	
	Option parts : Power supply cable 3000mm,			
	Lead wire cable 1000mm,			
	Mounting clip (2pcs/1bag),			
	Magnet attachment plate (Custom order)			

Item Number
LCEL-1460-W-DF-I
LCEL-1460-WW-DF-I
LCEL-1460-L30-DF-I
LCEL-1460-L27-DF-I
LCEL-1460-L24-DF-I

Job/Project Name	Area/Location/Circuit No.
Product Code	Qty. Length(mm)